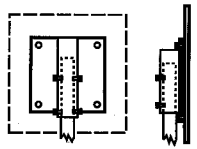
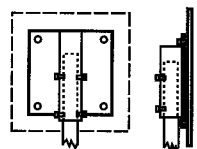


MOUNTING TYPES

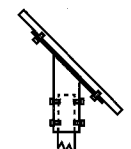
We have added a new line of post mounts in medium, heavy, and extra heavy duty for your particular customers who want their plaque mounted "just so". All post mounts are made of 6061T6 Aluminum heliarc, welded and shipped with stainless hardware. Each aluminum bracket will have a mounting plate to correspond to the size of plaque ordered.



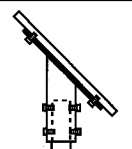
PM5
This straight post mount fits posts with a 2 3/8" O.D. and is intended for light to moderate use. It would be suitable for low traffic areas such as gardens, or tree memorials.



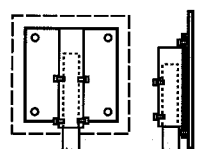
PM6
This straight post mount fits posts with a 3" O.D. and is intended for moderate to heavy use. It would be suitable for parks or school grounds.



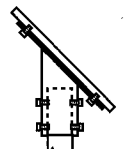
PM7
This 45° angled post mount fits posts with a 2 3/8" O.D. and is intended for light to moderate use. It would be suitable for low traffic areas such as gardens, or tree memorials.



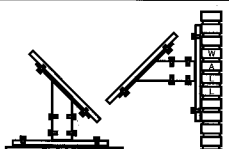
PM8
This 45° angled post mount fits posts with a 3" O.D. and is intended for moderate to heavy use. It would be suitable for parks or school grounds.



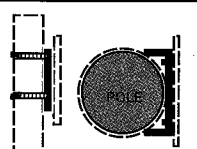
PM9
This straight post mount fits posts with a 4" O.D. and is intended for extra heavy use with a 1/2" sleeve wall. It would be suitable for high traffic areas, such as parking lots.



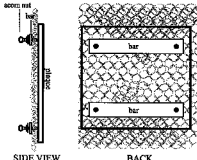
PM10
The 45° angle post mount fits posts with a 4" O.D. and is intended for extra heavy use with a 1/2" sleeve wall. It would be suitable for high traffic areas, such as parking lots.



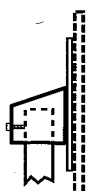
PM11
This post mount is intended for areas where a post can not be installed. It can be ordered straight or angled at 45°, and can be mounted directly to a wall or floor.



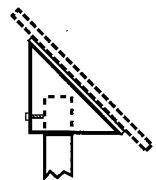
FMB 10
This flag pole mount is made of aluminum u-channel 3"x1" and is installed using 2 stainless steel heavy duty hose type clamps and stainless hardware to fasten plaque to the bracket. Unit shown is 6x8, if plaque is larger, call for special quote.



FM1
Fence mounting bracket made of stainless steel and aluminum consists of two studs, one bar, two washers, two nuts, and two rounded acorn nuts. It would be suitable for most fencing types. Most plaques require 2 brackets (as above). Custom applications available for larger plaques, call for special quote.

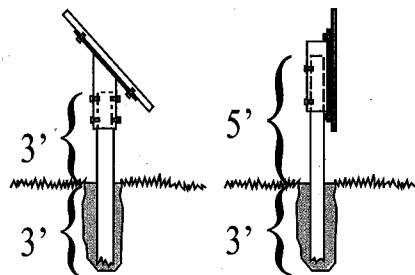


SBM90
This stake mount is glued or welded to medium sized plaques and fits a pipe with a 1" O.D. or our 1" solid aluminum stakes. It is intended for those plaques too large for a standard stake, yet too small for a post mount.



SBM45
This 45° angle stake mount is glued or welded to medium sized plaques and fits a pipe with a 1" O.D. or our 1" solid aluminum stakes. It is intended for those plaques too large for a standard stake, yet too small for a post mount.

In addition, due to all the requests, we also now have steel (sch 40) and aluminum (sch 40 6061T6 high quality), posts. We will prepare and cut posts to your customers desired length then prime and paint with a high quality durable paint to match your plaque. The aluminum posts are also available in wire brush finish.



Shown above is a typical installation.

Suggested Retail Price Per Running Foot	Steel Posts	Alum. Posts
2 3/8" O.D. Sch 10 (thin wall)		
2 3/8" O.D. Sch 40		
3" O.D. Sch 40		
4" O.D. Sch 40		
New!- solid rods to fit SBM45 & SBM90		
1" diam. aluminum rod	N/A	